

# Remarkable Series

RS650B



\* RS650B

## RS650B

### Features

- \* LCD status display
- \* USB communication port
- \* Automatic voltage regulator
- \* Short circuit protection
- \* Over charge & over discharge protection
- \* Smart audible & LCD icon alarms
- \* Surge, spike and lightning protection
- \* User replaceable battery

### Specifications

Model Name	RS650B
Topology	Line-Interactive
On-battery Output Waveform	Simulated Sine Wave
<b>INPUT</b>	
Maximum Capacity (VA/W)	650VA / 390W
Nominal Input Voltage	110/120Vac
Nominal Input Frequency	50Hz / 60Hz Auto Sensing
Input Voltage Range	Rated Voltage +/- 25%
Input Short Protection	Circuit Breaker
<b>OUTPUT</b>	
Nominal Output Voltage	110/120Vac
Output Voltage Regulation	120Vac +/- 10%, Step Wave
Transfer Time	4 ms(Typical)
Protected Outlets	4 Battery Backup Outlets
<b>PROTECTION</b>	
Automatic Voltage Regulator (AVR)	Yes
Data Line Surge Protection	RJ11 / RJ45
Output Short Circuit Protection	Output Auto cut off, Buzzer Beeping
Normal Mode Noise Suppression	Full time EMI Filtering
<b>BATTERY</b>	
User Replaceable Battery	Maintenance-free Sealed Lead-Acid Battery, Leakproof
Typical Recharge Time to 90%	8 Hours
<b>ADVANCE WARNING DIAGNOSTICS</b>	
LCD Status Display	Normal, Fault, Battery, Charge, Overload, Load, Battery Capacity
Audible Alarms	AC Unusual/Battery Low Voltage/Overload/Short Circuit/PCB Failed, beeps for 60 Seconds
<b>COMMUNICATIONS INTERFACE</b>	
Communication Port	USB Port
Control Software	UPSion2000
Cold-start Capability	Yes
<b>PHYSICAL</b>	
Dimensions (Physical / Packing) (mm)	330 x 85 x 150 / 357 x 132 x 250
(LxWxH) (inch)	13.0 x 3.4 x 5.9 / 14.1 x 5.2 x 9.9
Weight (Net / Gross) (lb)	15.0 / 15.4
(kg)	6.8 / 7.0
<b>CONFORMANCE</b>	
Regulatory Approvals	UL/cUL listed, UL497A, UL1778



### Front Panel

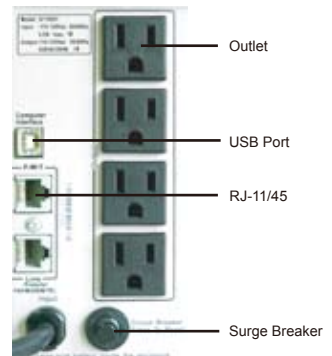
RS650B



On/Off

### Rear Panel

RS650B



Outlet

USB Port

RJ-11/45

Surge Breaker